



EVA.5



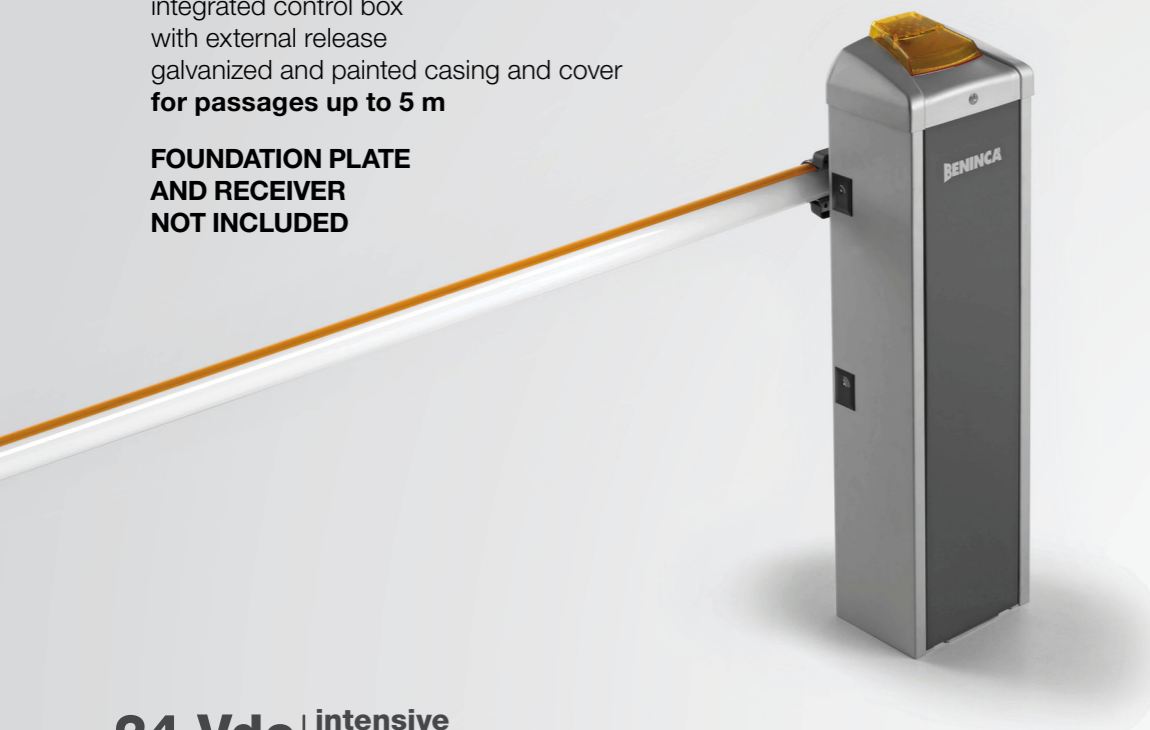
CONTROL PANELS:

EVA.5 — CP.EVA p.142

ROAD BARRIERS

integrated control box with external release galvanized and painted casing and cover for passages up to 5 m

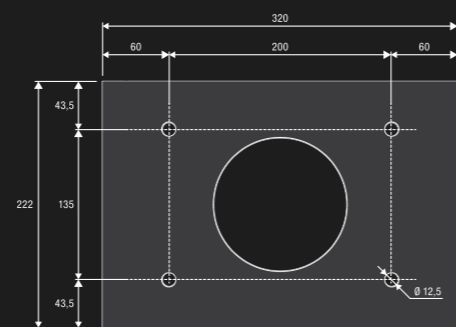
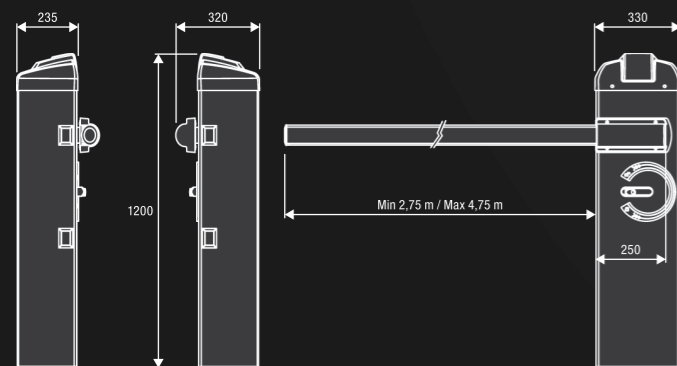
FOUNDATION PLATE AND RECEIVER NOT INCLUDED



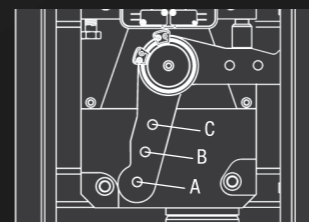
24 Vdc intensive use

- 24 Vdc electromechanical barrier for intensive use. The barrier can be easily switched over to the other side.
- Easy and fast programming of the control panel thanks to its being positioned on the top of the road barrier
- Extremely easy use and programming of the road barrier
- Possibility of integrated FTC.S photocells thanks to the innovative hide-away system
- Possibility of battery back up system
- Amperometric anticrushing control

- New fast acting release
- Elliptical rod with built-in rubber profile and optional built-in led lights
- Built-in flasher (requires EVA.LAMP card accessory)
- Three adjustable limit switches for the braking phases and the closure position
- 2 adjustable mechanical stops
- Simple, quick and reliable rod balancing system
- Foundation plate accessory with VE.PS coach screws



VE.PS



ACCESSORIES FOR USE

| | BAR LENGTH (m) | | | | |
|--------------------------|----------------|-----|---|-----|---|
| | 3 | 3.5 | 4 | 4.5 | 5 |
| EVA5.A | C | C | B | B | A |
| EVA5.A + VE.RAST | C | B | B | A | A |
| EVA5.A + VE.AM | C | C | B | B | A |
| EVA5.A + VE.RAST + VE.AM | C | B | B | A | A |
| EVA5.A + SC.RES | C | B | B | A | A |
| EVA5.A + SC.RES + VE.AM | C | B | B | A | A |

Key: EVA5.A: Shank with rubber and upper profile / VE.RAST: Aluminium skirt / VE.AM: Mobile support for bar / SC.RES: Sensitive resistive edge (complying with annexe 4 of the Machines Directive).
Attention: The installation of the VE.RAST interferes with the use of the SC.RES and vice versa. The installation of the EVA.L lights kit does not influence the balancing of the bar.

| | | | | | |
|-------------------------------------------------------------------------------------------------------------------------------------------------------------------------------|-------------------------------------------------------------------------------|------------------------------------------------------------------------------------------------------------------------------------------------------------------------------|-----------------------------------------------------------------------------------------------|-------------------------------------------------------------------|----------------------------------------------------------------|
| | | | | | |
| EVA5.A 9081005 Elliptical arm of painted aluminium complete with cap and anti-collision rubber profile. (L. 5m) Available in two pieces with joint (EVA5.2A). | EVA5.G 9424002 Aluminium joint for EVA5.2A. | VE.PS 9623068 Foundation plate with coach screws for EVA.5. | VE.TERM 9864010 Thermostat for very cold places. | VE.AM 9078020 Mobile support for bars. | VE.RAST 9672010 Aluminium rack L= 2 m. H= 60 cm |
| | | | | | |
| EVA.AF 9078035 Painted fixed support. | EVA.L 9534002 Flashing light set for EVA5.A. | EVA.SUP 9819035 Support for EVA internal accessories. | VE.KM1HN 9614267 VE.KM2HN 9614268 Single/two-channel loop detector. | VE.GS 9760050 Traffic-light control unit for LED.TL. | LED.TL 9766003 2 light 230 Vac LED traffic light. |
| | | | | | |
| EVA.LAMP 9534003 Circuit for EVA.5 / EVA.7 flashing light. | EVA.CAT5 9549030 Set of 20 adhesive refractor strips for EVA5.A. | ESA BASIC 9176108 System that reduces the electrical energy consumption. In the EVA.5 model, the use of ESA BASIC is not compatible with the battery operation. | KSUN 9611004 KIT for system operation via solar panel. For 24 Vdc models. | | |

MADE IN ITALY

TECHNICAL DATA

| | EVA.5 |
|-----------------------|-------------------|
| Code | 9083106 |
| Power supply | 230 Vac (50-60Hz) |
| Motor supply | 24 Vdc |
| Max absorbed current | 1.6 A |
| Torque | 205 Nm |
| Opening time | 3" - 5" |
| Operation cycle | intensive use |
| Protection level | IP44 |
| Operating temperature | -20°C /+50°C |
| Weight | 55 kg |
| Items no. per pallet | 9 |